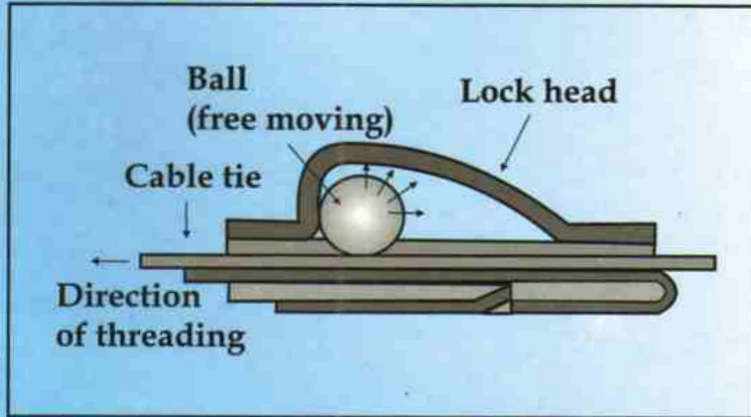
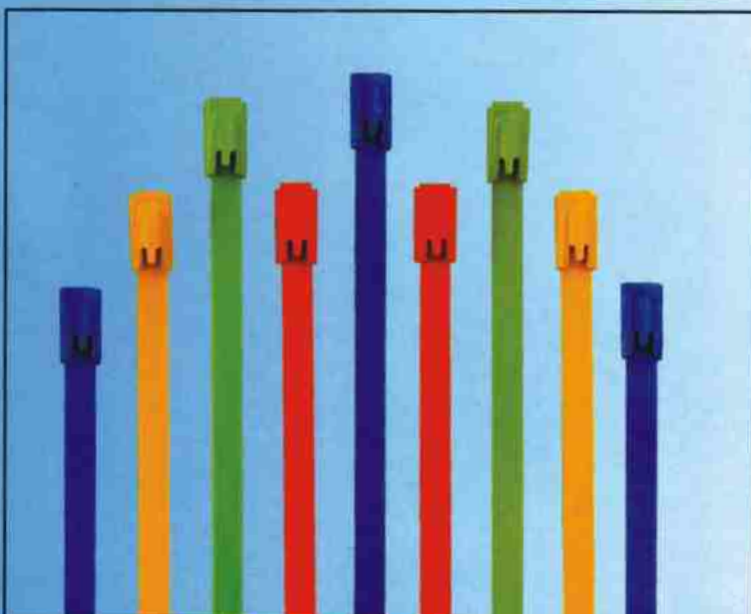
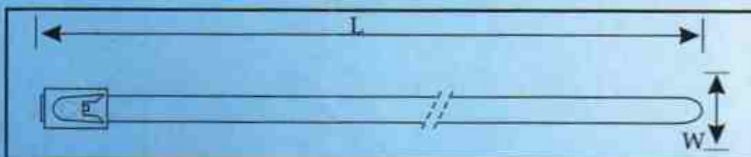
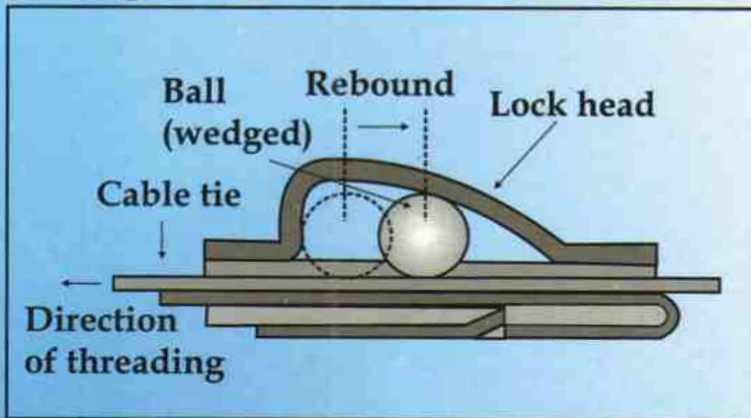


ROLLER BALL TIES - WEDGE LOCK MECHANISM

A) Initial Position



B) Wedge Lock Position



Multicolour spectrum Roller Ball Ties

FEATURES of R-Loc Roller Ball Ties:

- Self Locking mechanism for fast and easy installation.
- Rounded edges and smooth surfaces.
- Flame Retardant, Non-Toxic and Non-Halogenic.
- Fully enclosed head does not allow dirt or grit to interfere with locking mechanism.
- Ideal for applications where Corrosion, Vibration, Radiation and Temperature extremes are concern.

Spectrum Ties

We also provide Roller Ball Ties in various colour coatings. These can be used for easy identification for various phase lines of cables.

ROLLER BALL UNCOATED

Technical Information: Stainless Steel Roller Ball Ties, Uncoated

Material A) 316 grade non-magnetic stainless steel
B) 304 grade non-magnetic stainless steel

Temperature Range -80°C to + 500°C

Colour Metallic

Flammability rating Absolutely fireproof and UV-resistant

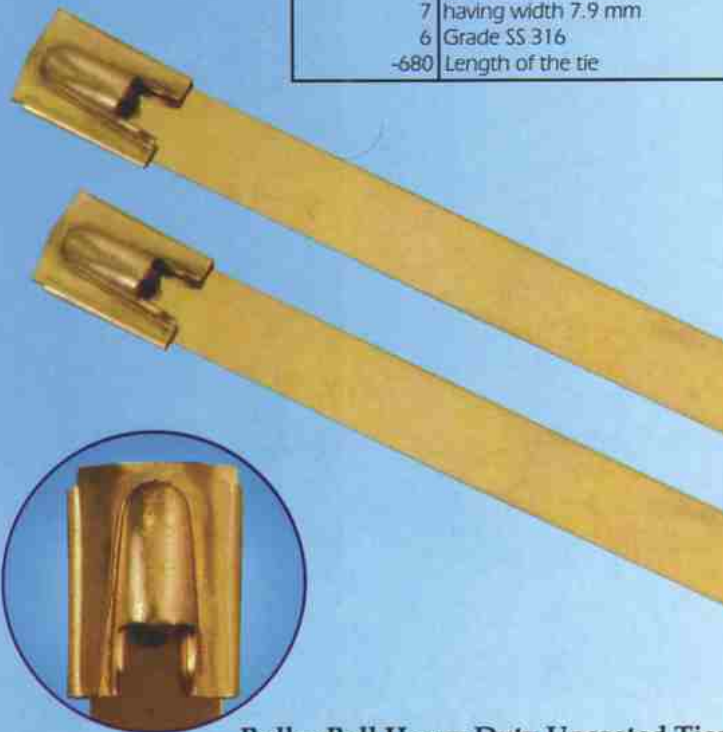
Loop Tensile Strength 4.6 mm width : 445 N (100lb)
7.9 mm width : 1112N (250lb)

BU46-680	B	SS TIES ROLLER BALL TYPE
	U	Uncoated
	4	having width 4.6 mm
	6	Grade SS 316
	-680	Length of the tie



Roller Ball Regular Uncoated Ties

BU76-680	B	SS TIES ROLLER BALL TYPE
	C	Uncoated
	7	having width 7.9 mm
	6	Grade SS 316
	-680	Length of the tie



Roller Ball Heavy Duty Uncoated Ties

Regular - SS 316

S.No.	Series	Length mm	Width mm	Metal Thickness mm
1	BU46-100	100	4.6	0.25
2	BU46-150	150	4.6	0.25
3	BU46-200	200	4.6	0.25
4	BU46-360	360	4.6	0.25
5	BU46-520	520	4.6	0.25
6	BU46-680	680	4.6	0.25
7	BU46-840	840	4.6	0.25
8	BU46-1000	1000	4.6	0.25

Heavy Duty - SS 316

S.No.	Series	Length mm	Width mm	Metal Thickness mm
1	BU76-100	100	7.9	0.25
2	BU76-150	150	7.9	0.25
3	BU76-200	200	7.9	0.25
4	BU76-360	360	7.9	0.25
5	BU76-520	520	7.9	0.25
6	BU76-680	680	7.9	0.25
7	BU76-840	840	7.9	0.25
8	BU76-1000	1000	7.9	0.25

Regular - SS 304

S.No.	Series	Length mm	Width mm	Metal Thickness mm
1	BU44-100	100	4.6	0.25
2	BU44-150	150	4.6	0.25
3	BU44-200	200	4.6	0.25
4	BU44-360	360	4.6	0.25
5	BU44-520	520	4.6	0.25
6	BU44-680	680	4.6	0.25
7	BU44-840	840	4.6	0.25
8	BU44-1000	1000	4.6	0.25

Heavy Duty - SS 304

S.No.	Series	Length mm	Width mm	Metal Thickness mm
1	BU74-100	100	7.9	0.25
2	BU74-150	150	7.9	0.25
3	BU74-200	200	7.9	0.25
4	BU74-360	360	7.9	0.25
5	BU74-520	520	7.9	0.25
6	BU74-680	680	7.9	0.25
7	BU74-840	840	7.9	0.25
8	BU74-1000	1000	7.9	0.25

ROLLER BALL COATED

Technical Information: Stainless Steel Roller Ball Ties, Coated

Material A) 316 grade non-magnetic stainless steel
B) 304 grade non-magnetic stainless steel

Temperature Range -80°C to +150°C

Coating Pure Polyester & Epoxy

Flammability rating Fireproof, Halogen Free and UV-resistant

Loop Tensile Strength 4.6 mm width : 445 N (100lb)
7.9 mm width : 1112N (250lb)

BC76-680	B	SS TIES ROLLER BALL TYPE
	C	Coated
	7	having width 7.9 mm
	6	Grade SS 316
-680		Length of the tie



Roller Ball Regular Coated Ties

BC44-680	B	SS TIES ROLLER BALL TYPE
	C	Coated
	4	having width 4.6 mm
	4	Grade SS 304
-680		Length of the tie



Roller Ball Heavy Coated Ties

Regular - SS 316

S.No.	Series	Length mm	Width mm	Metal Thickness mm
1	BC46-100	100	4.6	0.25
2	BC46-150	150	4.6	0.25
3	BC46-200	200	4.6	0.25
4	BC46-360	360	4.6	0.25
5	BC46-520	520	4.6	0.25
6	BC46-680	680	4.6	0.25
7	BC46-840	840	4.6	0.25
8	BC46-1000	1000	4.6	0.25

Heavy Duty - SS 316

S.No.	Series	Length mm	Width mm	Metal Thickness mm
1	BU76-100	100	7.9	0.25
2	BU76-150	150	7.9	0.25
3	BU76-200	200	7.9	0.25
4	BU76-360	360	7.9	0.25
5	BU76-520	520	7.9	0.25
6	BU76-680	680	7.9	0.25
7	BU76-840	840	7.9	0.25
8	BU76-1000	1000	7.9	0.25

Regular - SS 304

S.No.	Series	Length mm	Width mm	Metal Thickness mm
1	BC44-100	100	4.6	0.25
2	BC44-150	150	4.6	0.25
3	BC44-200	200	4.6	0.25
4	BC44-360	360	4.6	0.25
5	BC44-520	520	4.6	0.25
6	BC44-680	680	4.6	0.25
7	BC44-840	840	4.6	0.25
8	BC44-1000	1000	4.6	0.25

Heavy Duty - SS 304

S.No.	Series	Length mm	Width mm	Metal Thickness mm
1	BC74-100	100	7.9	0.25
2	BC74-150	150	7.9	0.25
3	BC74-200	200	7.9	0.25
4	BC74-360	360	7.9	0.25
5	BC74-520	520	7.9	0.25
6	BC74-680	680	7.9	0.25
7	BC74-840	840	7.9	0.25
8	BC74-1000	1000	7.9	0.25